

**PRODUCT
DATASHEETS**

VEGA BASIC



Highlights

NATIVE EXPLOITATION IN MICRO-SESAME

The registration numbers are directly managed in the Identified / Identifiers interface of MICRO-SESAME.

SECURE

Depending on the level of security you need, you can either elect to use a simple control or choose to use a combined control "plate + badge". The settings are made in MICRO-SESAME.

ACCURATE READING

This reader is equipped to capture small size plates (motorcycles) and moving plates.

Main features

- Reading distance : 3 to 8 or 6 to 25m.
- Triggering by signal (cell, loop on the ground ...) or continuously (software plate detection)
- Shooting at 25 frames per second, with built-in infrared flash to capture car plate up to 70 km/h or 150km/h.
- Data transfer via dedicated remote modules, connected in RS485 to TILLYS controllers
- The dedicated modules can handle 1 lane
- Several firmwares dedicated to character recognition are available to cover different geographical areas around the world.
- Compatible with the CUBE range and the old range (TILLYS NG) and (UTIL or TILLYS V2).
- Power supply 24V or PoE

Optimising vehicle access

Coupled with gate automation or barriers, the VEGA BASIC system allows control of vehicle accesses by recognition of license plates.

This system responds perfectly to the three main problems encountered on this type of access :

- Increase the level of security by using an identifier different from the badge
- Fluidify vehicle flows, especially during busy hours
- Improve user comfort

The VEGA BASIC camera includes a built-in image processing software that detects car plates.

Like a badge reader, this software transfers the registration number to the centralized MICRO-SESAME system, through specialized electronic modules.

Many additional uses can be envisaged, such as automatic invoicing or counting available parking spots.

INTEGRATED ACCESS CONTROL SYSTEM

MOBILE READER



CAR PLATE READER

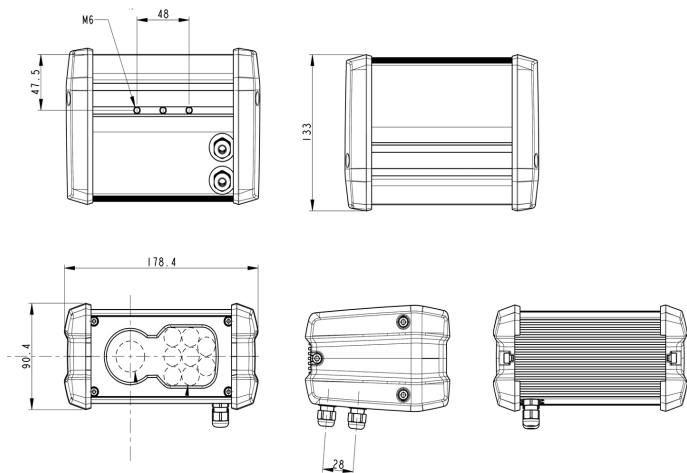


LONG-RANGE READERS



VEGA BASIC

Dimensions



Product references

VEGA BASIC car plate reader

- LPMT1E-EU-CAM485 : 1 lane licence plate reader - Cars + Motorcycles -Distance 3 to 8 m - Reading up to 70 km/h - RS485 - 24 V power supply - case and wall mounting - integrated processing software for EU plates.
- LPMT1F-EU-CAM485 : 1 lane licence plate reader - Cars + Motorcycles -Distance 6 to 25 m - Reading up to 150 km/h - RS485 - 24 V power supply - case and wall mounting - integrated processing software for EU plates.
- LPMT1C-MAC : Mast-mounted VEGA BASIC readers or VEGA BASIC readers on support arms.

Specialised modules for TILLYS NG (V3)

- MLD1-RS485-RD : Door module for TILLYS NG - 1 RS485 reader - DIN Rail mounting
- MLD2- RS485-RD : Door module for TILLYS NG - 2 RS485 readers - DIN Rail mounting

Specialised modules for TILLYS CUBE (V3)

- MLP2-CUBE : Door module for TILLYS NG - 2 RS485 readers - DIN Rail mounting

Other references are available for European plates outside the EU (Turkey, Ukraine...) or outside Europe (Middle East, Africa, Russia, USA...).

Please contact your TIL sales representative.

Technical details

Power supply : 24 Vdc, PoE

Power consumption : 13W

ANPR camera : 2 MPX

Operating Mode :

» Continuous processing with automatic vehicle detection, even without plate

» Image capture and processing triggered by Ethernet command or

digital signal

Illuminator : 8 high power LEDs, InfraRed @ 850 nm

Working distance : 3 to 8 m or 6 to 15 m.

Digital I/O: 2 Optoisolated input - 2 Relay Output - 1 Strobe output

Output : RS485, Ethernet

Fixation : Mast-mounted / On support arms

Dimensions : 178 x 90 x 133mm

Weight : 1.5 kg

IP Protection : Waterproof IP67

Operating temperature : -40°C to +55°C

Humidity : 10% to 90% non condensing

Integration in MICRO-SESAME

- Compatible with MICRO-SESAME 2.8 and higher
- No additional software option required
- VEGA ACCESS is supervised by MICRO-SESAME as a standard badge reader (authorizations, groups, crisis mode ...)

Sales Contact : sales@til-technologies.com