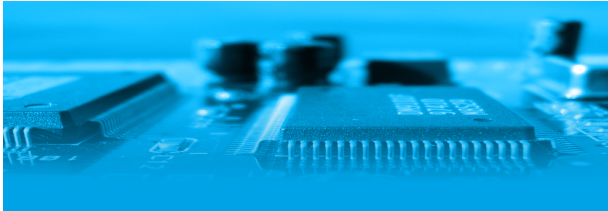


PRODUCT DATASHEETS

EVOLUTION IN READER



Highlights

HIGH SECURITY : ANSSI QUALIFIED

EVOLUTION IN is available in several versions of "transparent" readers (no encryption keys stored in the reader). Connected to CUBE modules (RS485 with AES128 encryption), EVOLUTION readers are integrated into an ANSSI-certified architecture.

This architecture constitutes TIL's current offer : MICRO-SESAME CUBE.

LOW THICKNESS

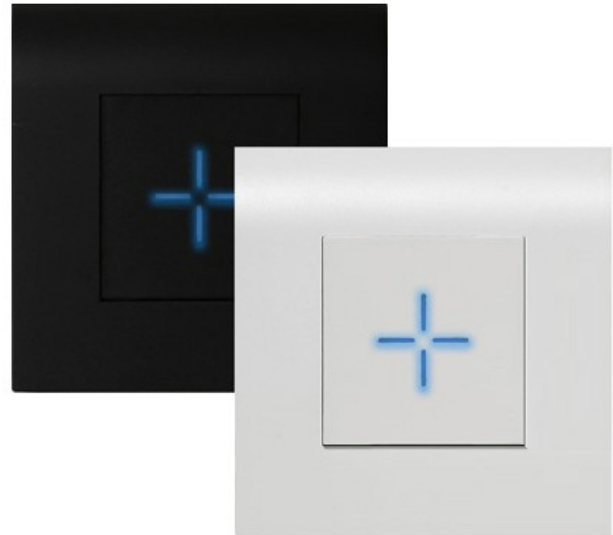
Its built-in installation allows a very low overflow of the wall; ideal for places with high passage or with risk of catching the reader (carts in hospitals, elevators...)

DECORATED IN ALL STYLES

The removable cover can be replaced by any ARNOULD SPACE or LEGRAND MOSAIC cover, giving you hundreds of possibilities for dressing... and re-wrapping.

Main features

- Installation on surface or panel mount (electrical box axis distance : 60 mm, indoor use only)
- Backlighting for clear visibility in the darkness. 7 different colors available via the programming card
- Standard cases available in different colors
- Signal & pullout prevention (accelerometer) transmitted via the TIL remote modules
- Note that unlike other readers in the range, EVOLUTION IN is not available in Bluetooth version and cannot accommodate any secondary reading add-on module. For biometric, QR-code or 125 kHz reading, it will be necessary to order a ST, KB or TL reader version.



Design built-in readers

EVOLUTION IN CUBE is a "transparent" contactless reader supporting the whole Mifare® ID family: Ultralight, Ultralight C, Mifare Classic, Mifare Plus, DESFire (EV1/EV2/EV3).

Specially designed to fit into an electrical flush-mounting box, its standard case can be replaced by any ARNOULD ESPACE or LEGRAND MOSAIC cover. You can choose discrete or strong design.

As the whole EVOLUTION CUBE series, several versions of this model are available, supporting different transparent protocols (OSDP/SSCP).

The different models can read UID numbers or secure data (files or sectors) stored in protected areas.

The modular nature of the EVOLUTION CUBE series offers the required flexibility to extend, to perform technological migrations, or to upgrade the security level on your sites.

READERS IN THE 13,56 MHZ EVOLUTION SERIES

EVOLUTION IN	EVOLUTION XS	EVOLUTION ST	EVOLUTION KB	EVOLUTION TL
				

EVOLUTION IN CUBE READER

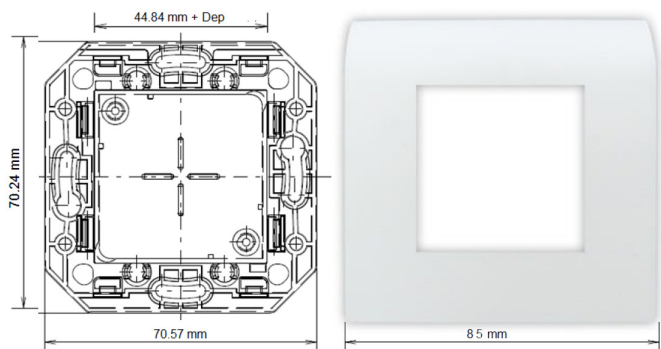
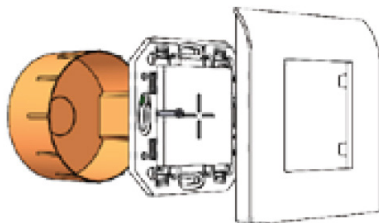
Dimensions

Default standard case :

85 x 85 mm

Backlit unit :

45 x 45 mm



External dimensions may vary for compatible cases (ARNOULD or LEGRAND brands).

Please check the manufacturer documentation for further information.

Product references

Secure readers for CUBE architecture :

- **LEC05XF8100-BB5** : EVOLUTION IN transparent reader, OSDP protocol, RS485, output terminal, white case
- **LEC05XF8100-NB5** : EVOLUTION IN transparent reader, OSDP protocol, RS485, output terminal, black case
- **LEC05XF5100-BB5** : EVOLUTION IN transparent reader, SSCPv2 protocol, RS485, output terminal, white case
- **LEC05XF5100-BB5** : EVOLUTION IN transparent reader, SSCPv2 protocol, RS485, output terminal, black case

Technical details

- **Power supply** : 5 to 24 VDC
- **Average consumption** : 100 mA
- **Emission frequency / IDs** : 13.56 MHz - ISO14443 A & B, ISO18092 (NFC). Chips: MIFARE® Ultralight & Ultralight C, MIFARE Classic, MIFARE Plus, MIFARE DESFire EV1 & EV2, NFC, SMART MX, CPS3, Moneo, iCLASS, PicoPass
- **Max. distance between module & reader** : 100 m (Wiegand/Dataclock) to 600m (RS485)
- **Communication interface** : RS485 with AES128 encryption
- **Connection** : 8 point snap-on terminals
- **Protection** : Pullout detection (accelerometer) + possibility of removing keys
- **Dimensions** : Central unit 45x45 mm + Decorative case 85x85 mm
- **Mounting** : Surface or panel mount (electrical box axis distance: 60 mm)
- **Reading distance** : Up to 6 cm w/ Mifare Classic, 5 cm w/DESFire EV1
- **Parameterisable signaling** :
 - » Controllable LEDs, 7 colors available, set up via configuration badge
 - » Integrated buzzer (driven by NG / V3 control units only)
- **Materials** : ABS-PC
- **Resistance / sealing** : Indoor use only
- **Operating temperature** : -20°C to +70°C
- **Weight** : 0.150 kg

Sales Contact : sales@til-technologies.com
www.til-technologies.com