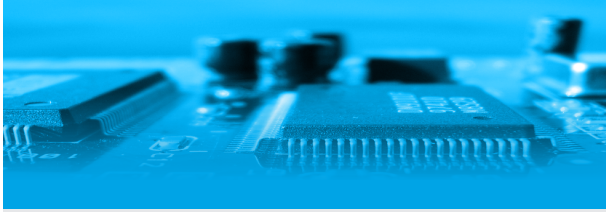


PRODUCT DATASHEETS



Highlights

HIGH SECURITY : ANSSI QUALIFIED

EVOLUTION TL is available in several versions of "transparent" readers (no encryption keys stored in the reader). Connected to CUBE modules (RS485 with AES128 encryption), EVOLUTION readers are integrated into an ANSSI-certified architecture.

This architecture constitutes TIL's current offer : MICRO-SESAME CUBE.

BLUETOOTH AND MULTI-IDENTIFIERS

Bluetooth-specific versions and the addition of a secondary reading add-on module (below) allow the EVOLUTION ST reader to read up to 4 types of identifiers at once (e.g.: 13.56 MHz badge + Bluetooth + QR code + keyboard code).

CONVENIENT SCREEN

The screen, in addition to providing a "rotating" virtual keyboard, can be used to display instruction messages.

Main features

- Signal & pullout prevention (accelerometer) transmitted via the TIL remote modules.
- IP65 polycarbonate case, resistant to water jets and dust. Vandal proof (IK10).
- Cases are available in different colors. 360 different colors can also be used for backlighting.
- 3 add-on modules available : Biometrics, QR-code and 125 kHz.
- The biometry feature requires a specific programming kit. This feature supports DESFire badges only, and is also compatible with the operation in «transparent» mode.

EVOLUTION TL READER



Also available : Biometric sensor, Qr-code reader & 125 kHz reader

High security access control

The EVOLUTION TL is a "transparent" contactless reader including a touch screen keyboard. It can be used for identification purposes by reading RFID supports and/or by entering personal key codes.

The virtual keyboard can randomly change the touch display order after each data input. Gesture or fingerprint traces are not a risk anymore, even when using daily shared codes.

One single EVOLUTION TL reader can operate in multiple modes. For instance, allowing badge reading for a group of employees and managing key codes for a group of users (visitors, temporary users...).

Reinforced security can be implemented by using both badge reading and key codes.

As the whole EVOLUTION CUBE series, it supports the whole Mifare® ID family and, to adapt to any security strategy, can read UID numbers or secure data, in a High Secure MICRO-SESAME CUBE architecture, ANSSI Qualified (Desfire EV1/EV2 only).

Reinforced authentication can be provided via an optional fingerprint sensor in the lower part. Two more optional modules are available for QR-Code or 125 kHz reading.

A Bluetooth range is also available for additional smartphone reading (see specific datasheet).

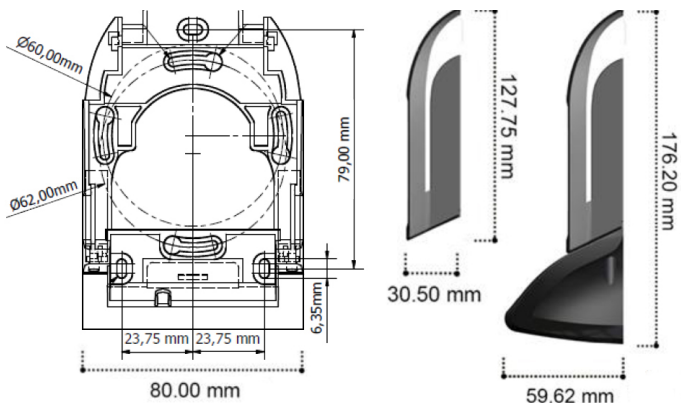
READERS IN THE 13,56 MHZ EVOLUTION SERIES

EVOLUTION IN	EVOLUTION XS	EVOLUTION ST	EVOLUTION KB	EVOLUTION TL
				

EVOLUTION TL CUBE READER

Dimensions

Front and side views



Product references

CUBE range - Transparents readers

- **LEC05XF8220-NB5** : EVOLUTION TL Touch screen reader - OSDP Transparent reading - black - RS485 - Terminal output
- **LEC05XF5220-NB5** : EVOLUTION TL Touch screen reader - SSCPV2 Transparent reading - black - RS485 - Terminal output

CUBE range - Transparents readers + Biometric

- **LEC72ST0820-NB5** : EVOLUTION TL Touch screen + biometric reader - OSDP Transparent reading - black - RS485 - Terminal output
- **LEC72ST0520-NB5** : EVOLUTION TL Touch screen + biometric reader - SSCPV2 Transparent reading - black - RS485 - Terminal output

CUBE range - Transparents readers + Bluetooth

- **LEC05XF8225-NB5** : EVOLUTION TL Touch screen + bluetooth reader - OSDP Transparent reading - black - RS485 - Terminal output

CUBE range - Transparents readers + Bluetooth +Bio

- **LEC72ST0825-NB5** : EVOLUTION TL Touch screen + biometric + bluetooth reader - OSDP Transparent reading - black - RS485 - Terminal output

CUBE range - Transparents readers + Bluetooth + QR-code

- **LEC24ST0825-NB5** : EVOLUTION TL Touch screen + QR-code + bluetooth reader - OSDP Transparent reading - black - RS485 - Terminal output

125 kHz reader module

- **LEC05TI0300-NCX** : Additional module - 125kHz PROXIL reader for EVOLUTION ST,KB and TL readers - Black

Technical details

- **Power supply** : 7 to 28 VDC
- **Average consumption** : 130 mA
- **Emission frequency** : 13.56 MHz – ISO14443 A & B, ISO18092 (NFC). Chips: MIFARE® Ultralight & Ultralight C, MIFARE Classic, MIFARE Plus, MIFARE DESFire EV1 & EV2, NFC, SMART MX, CPS3, Moneo, iCLASS, PicoPass
Bluetooth Series : see specific datasheet
- **Max. distance between module & reader** : 100 m (Wiegand/Dataclock) to 600m (RS485)
- **Communication interface** : RS485 with AES128 encryption
- **Connection** : 10 point snap-on terminals
- **Protection** : Pullout detection (accelerometer) + possibility of removing keys
- **Dimensions** : 128x80x30.5 mm
- **Mounting** : Surface or panel mount (center distance 60 mm)
- **Reading distance** : Up to 6 cm with Mifare Classic, 4 cm with DESFire EV1
Compatible with any support types, including metallic surfaces (no spacer needed)
- **Parameterisable signaling** :
 - » 2 RGB LEDs available in 360 colors. Set up via configuration badge
 - » Integrated buzzer (driven by NG / V3 control units only)
- **Materials** :
 - » ABS-PC UL-V0 (black)
 - » ASA-PC-UL-V0 UV (white)
- **Resistance / sealing** : IP65 (excluding connections)
- **Operating temperature** : -20°C to +60°C, or -10°C to +50°C with biometric sensor
- **Humidity** : 0 to 95%
- **Weight** : 0.250 kg (excluding the biometric module)

