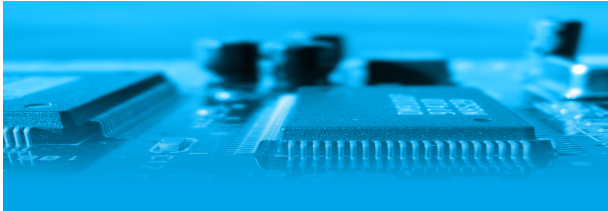


PRODUCT DATASHEETS

EVOLUTION XS READER



Highlights

HIGH SECURITY : ANSSI QUALIFIED

EVOLUTION XS is available in several versions of "transparent" readers (no encryption keys stored in the reader). Connected to CUBE modules (RS485 with AES128 encryption), EVOLUTION readers are integrated into an ANSSI-certified architecture.

This architecture constitutes TIL's current offer : MICRO-SESAME CUBE.

BLUETOOTH

Bluetooth-specific version allow the EVOLUTION XS to read IDs on smartphones

ADAPTED TO YOUR CORPORATE IMAGE

The EVOLUTION XS reader has a removable case that can be customized at an extra cost.

Backlighting can also be adjusted according to the environment.

Main features

- Signal & pullout prevention (accelerometer) transmitted via the TIL remote modules.
- IP65 polycarbonate case, resistant to water jets and dust. Vandal proof (IK10).
- Cases are available in different colors. 360 different colors can also be used for backlighting.
- Default cable output. Adapter available for terminal output transformation
- Note that unlike other readers in the range, EVOLUTION XS cannot accommodate any secondary reading add-on module. For biometric, QR-code or 125 kHz reading, it will be necessary to order a ST, KB or TL reader version.



Doorjamb reader

EVOLUTION XS CUBE is a "transparent" contactless reader supporting the whole Mifare® ID family: Ultralight, Ultralight C, Mifare Classic, Mifare Plus, DESFire (EV1/EV2/EV3).

Designed for both indoor and outdoor use, and doorjamb mount, its backlighting ensures good visibility in the dark.

As the whole EVOLUTION CUBE series, to adapt to any security strategy, it can read UID numbers or secure data, in a High Secure MICRO-SESAME CUBE architecture, ANSSI Qualified (Desfire EV1/EV2 only).

Several versions are available, supporting different transparent protocols (OSDP/SSCP).

A Bluetooth version is available for additional smartphone reading (see specific datasheet).

The modular nature of the EVOLUTION CUBE series offers the required flexibility to extend, to perform technological migrations, or to upgrade the security level on your sites.es.

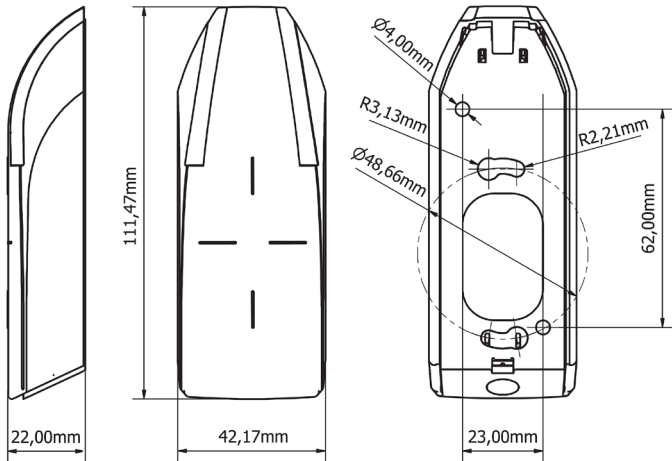
READERS IN THE 13,56 MHZ EVOLUTION SERIES

EVOLUTION IN	EVOLUTION XS	EVOLUTION ST	EVOLUTION KB	EVOLUTION TL
				

EVOLUTION XS CUBE READER

Dimensions

Front and side views



Product references

CUBE range - Transparents readers

- **LEC05XF8000-NL5** : EVOLUTION XS reader - OSDP Transparent reading - black - RS485 - Cable output
- **LEC05XF5000-NL5** : EVOLUTION XS reader - SSCPV2 Transparent reading - black - RS485 - Cable output

CUBE range - Transparents readers + Bluetooth

- **LEC05XF8005-NL5** : EVOLUTION XS reader + bluetooth reader - OSDP Transparent reading - black - RS485 - Cable output

Terminal output adapter

- **MB/LECX5-485**: EVOLUTION XS reader adapter - Transform cable output to 4-pin RS485 terminal output

Wall mounting bracket

- **SOC05XF1XXX-N**: Wall mounting bracket for cable trunking - EVOLUTION readers model XS - 6 mm - Black

Technical details

- **Power supply** : 10 to 15 VDC
- **Average consumption** : 120 mA
- **Emission frequency** : 13.56 MHz – ISO14443 A & B, ISO18092 (NFC). Chips: MIFARE® Ultralight & Ultralight C, MIFARE Classic, MIFARE Plus, MIFARE DESFire EV1 & EV2, NFC, SMART MX, CPS3, Moneo, iCLASS, PicoPass
- **Max. distance between module & reader** : 100 m (Wiegand/Datacloak) to 600m (RS485)
- **Communication interface** : RS485 with AES128 encryption
- **Connection** : 3 m. cable
- **Protection** : Pullout detection (accelerometer) + possibility of removing keys
- **Dimensions** : 111x42x22 mm
- **Mounting** : Surface or panel mount (drilling 32 mm x 2)
- **Reading distance** : Up to 6 cm with Mifare Classic badges, 4 cm with DESFire EV1 badges
Compatible with any support types, including metallic surfaces (no spacer needed)
- **Parameterisable signaling** :
 - » 2 RGB LEDs - 360 colors available
 - » Integrated buzzer (driven by NG / V3 control units only)
- **Materials** :
 - » ABS-PC UL-V0 (black)
 - » ASA-PC-UL-V0 UV (white)
- **Resistance / sealing** : IK10, IP65 (excluding connectors)
- **Operating temperature** : -20°C to +70°C
- **Humidity** : 0 to 95%
- **Weight** : 0.150 kg

Recommandations for use

- **Do not install XS readers** at the entry of busy site
- **Do not install XS readers** on MLP-UPDATERS for updating offline OSS access
- **Do not install XS readers** on a metal support (if this is not possible, there are risers available)

Sales Contact : sales@til-technologies.com
www.til-technologies.com